

UNIT SIZE	L/S MAX	CFM MAX	S.I. UNITS mm		IMPERIAL UNITS in.	
			A	L	A	L
6	212	450	152	660	6	26
7	307	650	178		7	
8	378	800	203		8	
9	496	1050	229	711	9	28
10	637	1350	254	711	10	28
12	991	2100	305	711	12	28
14	1416	3000	356	762	14	30
16	1888	4000	406	762	16	30

TERMINAL NOTES:

- DUCT, WELDED CONSTRUCTION, 20 GA. TYPE 316L S.S.
- DAMPER FABRICATED, 20 GA. TYPE 316 S.S.
- DAMPER SHAFT, TYPE 316 S.S.
- DAMPER SHAFT BEARINGS & DAMPER GASKET, TEFLON.
- CONTROLLER/ACTUATOR MOUNTING BRACKET, TYPE 304 S.S.
- PNEUMATIC ACTUATOR SUPPLIED & MOUNTED BY PRICE.
- ACTUATOR WILL BE SUPPLIED AS ILLUSTRATED ON RIGHT HAND SIDE UNLESS SPECIFIED OTHERWISE.
- GAUGE TAPS ARE STANDARD.
- CLEAN, DRY, 20 PSI (138 KPa) CONTROL AIR REQUIRED.
- REMOVABLE MULTI-POINT SENSOR, TYPE 316 S.S.
- PRODUCT TO BE SHIPPED FACTORY ASSEMBLED

TERMINAL OPTIONS:

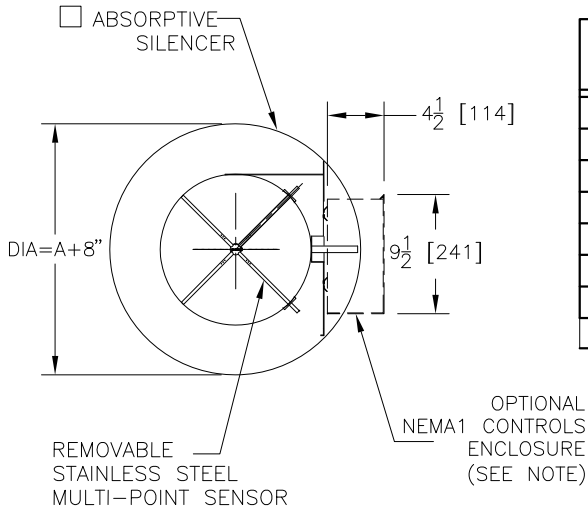
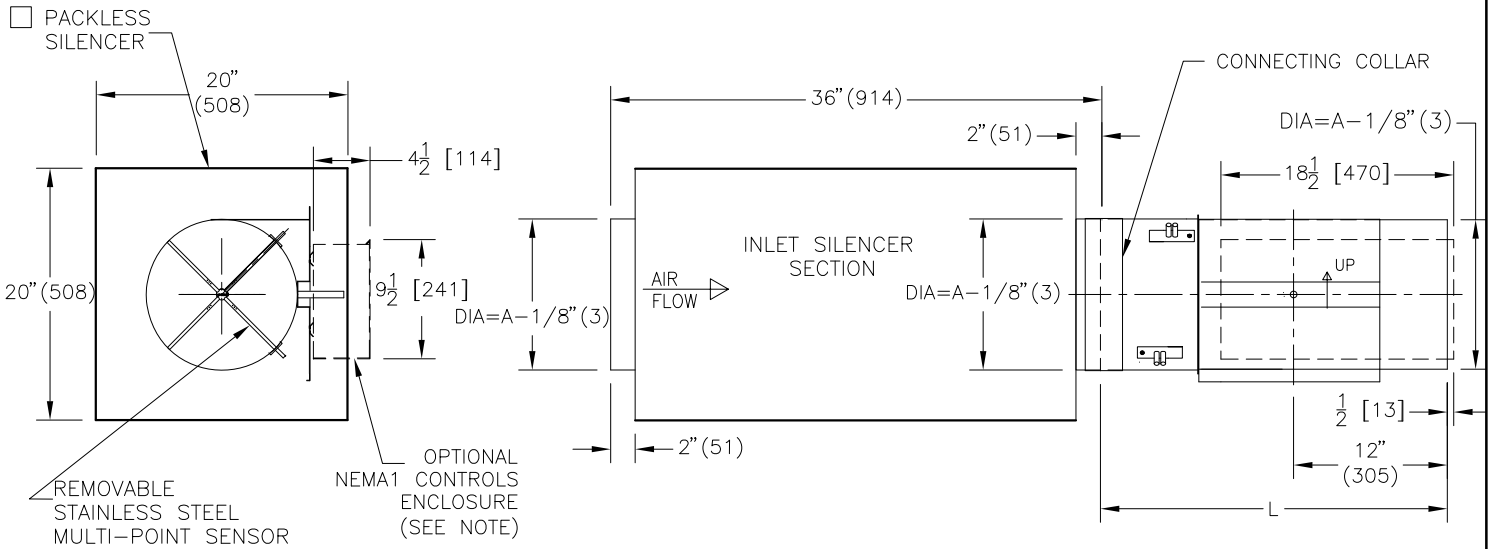
- OTHER PNEUMATIC ACTUATORS SUPPLIED & MOUNTED BY PRICE
- PNEUMATIC ACTUATOR SUPPLIED BY CONTROL CONTRACTOR & MOUNTED BY PRICE.
- REMOVABLE CONTROLLER COVER, 20 GA. TYPE 304 S.S.
- REMOVABLE CONTROLLER COVER, 20 GA. ZINC COATED STEEL

INLET SILENCER NOTES:

- SILENCER, - 24 GA, TYPE 316 S.S., MECHANICALLY FASTENED CONSTRUCTION
- PACKLESS INLET SILENCER (NO MEDIA)
- ABSORPTIVE INLET SILENCER LINED WITH FIBERGLASS INSULATION
 - ABSORPTIVE SILENCER MEDIA TREATMENT OPTIONS:
 - PL-POLYMER LINER
 - FC-FIBERGLASS CLOTH

ALL METRIC DIMENSIONS () ARE SOFT CONVERTED. IMPERIAL DIMENSIONS ARE CONVERTED TO METRIC AND ROUNDED TO THE NEAREST MILLIMETER.

PROJECT:			
ENGINEER:			
CUSTOMER:		253147	LPVQ8000 EXHAUST AIR VOLUME CONTROL VALVE WITH INLET SILENCER PNEUMATIC CONTROLS
SUBMITTAL DATE:	SPEC. SYMBOL:	2010/09/17	



UNIT SIZE	L/S MAX	CFM MAX	S.I. UNITS mm		IMPERIAL UNITS in.	
			A	L	A	L
6	212	450	152	660	6	26
7	307	650	178		7	
8	378	800	203		8	
9	496	1050	229	711	9	28
10	637	1350	254	711	10	28
12	991	2100	305	711	12	28
14	1416	3000	356	762	14	30
16	1888	4000	406	762	16	30

TERMINAL NOTES:

- DUCT, WELDED CONSTRUCTION, 20 GA. TYPE 316L S.S.
- DAMPER FABRICATED, 20 GA. TYPE 316 S.S.
- DAMPER SHAFT, TYPE 316 S.S.
- DAMPER SHAFT BEARINGS & DAMPER GASKET, TEFLON.
- CONTROLLER/ACTUATOR MOUNTING BRACKET, TYPE 304 S.S.
- REMOVABLE MULTI-POINT SENSOR, TYPE 316 S.S.
- CONTROLS BY OTHERS
- PRODUCT TO BE SHIPPED FACTORY ASSEMBLED

TERMINAL OPTIONS:

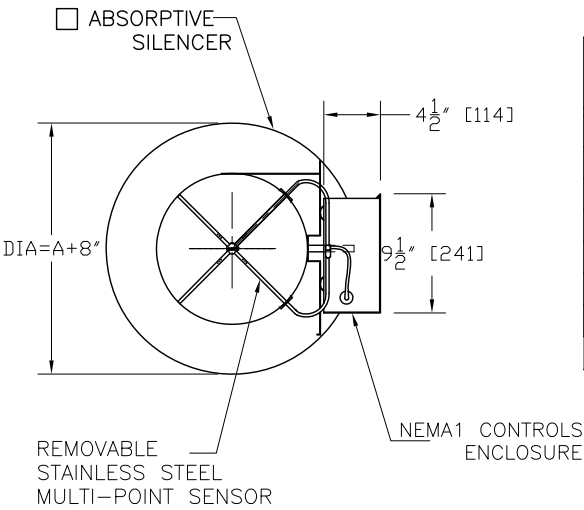
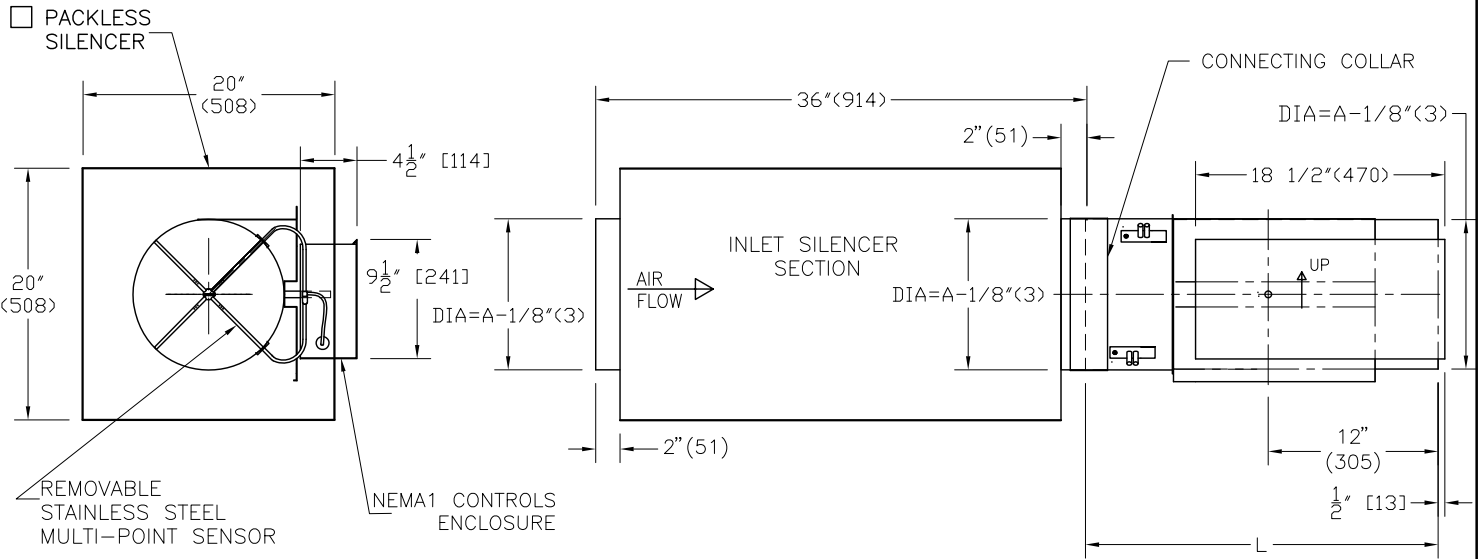
- CONTROLS ENCLOSURE, 22 GA. ZINC COATED STEEL SUPPLIED BY PRICE.
- CONTROLS ENCLOSURE, 20 GA. TYPE 304 S.S. SUPPLIED BY PRICE.
- DISCONNECT SWITCH.
- GT - BRASS AIRFLOW SENSOR GAUGE TAPS

INLET SILENCER NOTES:

- SILENCER, - 24 GA, TYPE 316 S.S. MECHANICALLY FASTENED CONSTRUCTION
- PACKLESS INLET SILENCER (NO MEDIA)
- ABSORPTIVE INLET SILENCER LINED WITH FIBERGLASS INSULATION
- ABSORPTIVE SILENCER MEDIA TREATMENT OPTIONS:
 - PL-POLYMER LINER
 - FC-FIBERGLASS CLOTH

ALL METRIC DIMENSIONS () ARE SOFT CONVERTED. IMPERIAL DIMENSIONS ARE CONVERTED TO METRIC AND ROUNDED TO THE NEAREST MILLIMETER.

PROJECT:		 LDVQ5000 EXHAUST AIR VOLUME CONTROL VALVE WITH INLET SILENCER DIGITAL CONTROLS	
ENGINEER:			
CUSTOMER:		BG	
SUBMITTAL DATE:		253148	
SPEC. SYMBOL:		2013/02/20	



UNIT SIZE	L/S MAX	CFM MAX	S.I. UNITS mm		IMPERIAL UNITS in.	
			A	L	A	L
6	212	450	152	660	6	26
7	307	650	178		7	
8	378	800	203		8	
9	496	1050	229	711	9	28
10	637	1350	254	711	10	28
12	991	2100	305	711	12	28
14	1416	3000	356	762	14	30
16	1888	4000	406	762	16	30

TERMINAL NOTES:

- DUCT, WELDED CONSTRUCTION , 20 GA. TYPE 316L S.S.
- DAMPER FABRICATED , 20 GA. TYPE 316 S.S.
- DAMPER SHAFT , TYPE 316 S.S.
- DAMPER SHAFT BEARINGS & DAMPER GASKET , TEFLON.
- CONTROLS ENCLOSURE MOUNTING BRACKET , TYPE 304 S.S.
- CONTROLS ENCLOSURE , 22 GA. ZINC COATED STEEL.
- UNIT IS PRESSURE INDEPENDENT.
- CONTROLS ASSEMBLY WILL BE SUPPLIED AS ILLUSTRATED ON RIGHT HAND SIDE UNLESS SPECIFIED OTHERWISE.
- PRICE CONTROLS FACTORY MOUNTED.
- PRICE THERMOSTAT FIELD MOUNTED.
- REMOVABLE MULTI-POINT SENSOR , TYPE 316 S.S.
- LINE VOLTAGE MUST NOT EXCEED 277 VAC.
- PRODUCT TO BE SHIPPED FACTORY ASSEMBLED

ALL METRIC DIMENSIONS () ARE SOFT CONVERTED. IMPERIAL DIMENSIONS ARE CONVERTED TO METRIC AND ROUNDED TO THE NEAREST MILLIMETER.

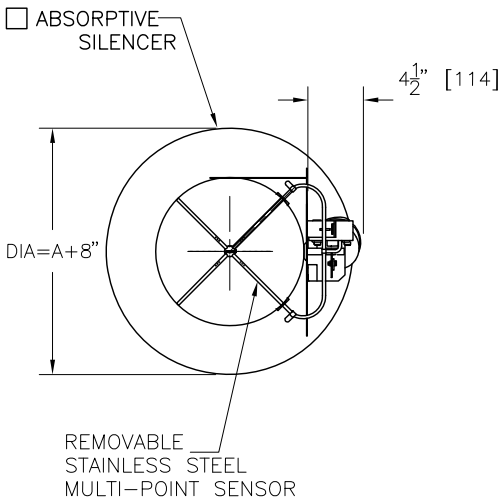
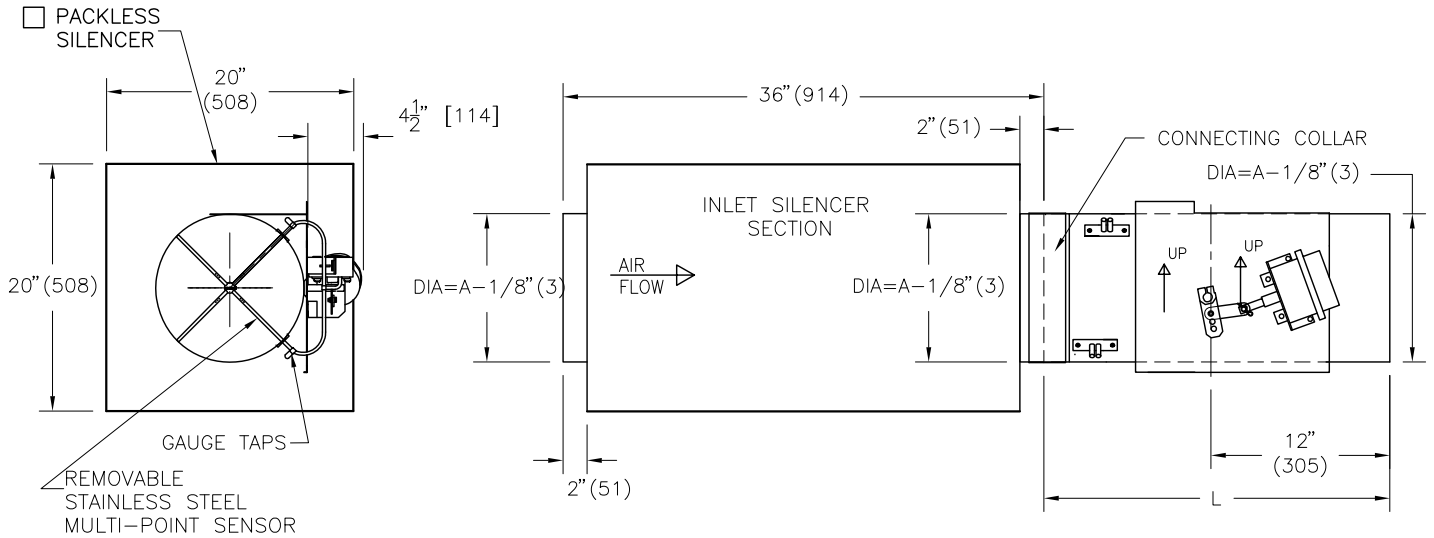
TERMINAL OPTIONS:

- NEMA1 CONTROLS ENCLOSURE , 20 GA. TYPE 304 S.S.
- DISCONNECT SWITCH.

INLET SILENCER NOTES:

- SILENCER , - 24 GA , TYPE 316 S.S., MECHANICALLY FASTENED CONSTRUCTION
 - PACKLESS INLET SILENCER (NO MEDIA)
 - ABSORPTIVE INLET SILENCER LINED WITH FIBERGLASS INSULATION
 - ADSORPTIVE SILENCER MEDIA TREATMENT OPTIONS:
 - PL - POLYMER LINER
 - FC - FIBERGLASS CLOTH

PROJECT:		PRICE®	
ENGINEER:			
CUSTOMER:		EXHAUST AIR VOLUME CONTROL VALVE WITH INLET SILENCER PRICE CONTROLS	
SUBMITTAL DATE:	SPEC. SYMBOL:	253149	2011/04/19



UNIT SIZE	L/S MAX	CFM MAX
6	212	450
7	307	650
8	378	800
9	496	1050
10	637	1350
12	991	2100
14	1416	3000
16	1888	4000

S.I. UNITS mm		IMPERIAL UNITS in.	
A	L	A	L
152	660	6	26
178			
203			
229	711	9	28
254	711	10	28
305	711	12	28
356	762	14	30
406	762	16	30

TERMINAL NOTES:

- DUCT, WELDED CONSTRUCTION , 20 GA. TYPE 316L S.S.
- DAMPER FABRICATED , 20 GA. TYPE 316 S.S.
- DAMPER SHAFT , TYPE 316 S.S.
- DAMPER SHAFT BEARINGS & DAMPER GASKET , TEFLON.
- CONTROLLER/ACTUATOR MOUNTING BRACKET , TYPE 304 S.S.
- PNEUMATIC ACTUATOR SUPPLIED & MOUNTED BY PRICE.
- ACTUATOR WILL BE SUPPLIED AS ILLUSTRATED ON RIGHT HAND SIDE UNLESS SPECIFIED OTHERWISE.
- GAUGE TAPS ARE STANDARD.
- CLEAN, DRY, 20 PSI (138 KPa) CONTROL AIR REQUIRED.
- REMOVABLE MULTI-POINT SENSOR , TYPE 316 S.S.
- PRODUCT TO BE SHIPPED FACTORY ASSEMBLED

TERMINAL OPTIONS:

- OTHER PNEUMATIC ACTUATORS SUPPLIED & MOUNTED BY PRICE
- PNEUMATIC ACTUATOR SUPPLIED BY CONTROL CONTRACTOR & MOUNTED BY PRICE.

INLET SILENCER NOTES:

- SILENCER , - 24 GA , TYPE 316 S.S., MECHANICALLY FASTENED CONSTRUCTION
- PACKLESS INLET SILENCER (NO MEDIA)
- ABSORPTIVE INLET SILENCER LINED WITH FIBERGLASS INSULATION
 - ABSORPTIVE SILENCER MEDIA TREATMENT OPTIONS:
 - PL - POLYMER LINER
 - FC-FIBERGLASS CLOTH

ALL METRIC DIMENSIONS () ARE SOFT CONVERTED. IMPERIAL DIMENSIONS ARE CONVERTED TO METRIC AND ROUNDED TO THE NEAREST MILLIMETER.

PROJECT:		PRICE [®]	
ENGINEER:		<i>BG</i>	LPVQ6000 EXHAUST CONTROL VALVE PNEUMATIC CONTROLS WITH INLET SILENCER
CUSTOMER:		253476	
SUBMITTAL DATE:	SPEC. SYMBOL:	2010/09/15	